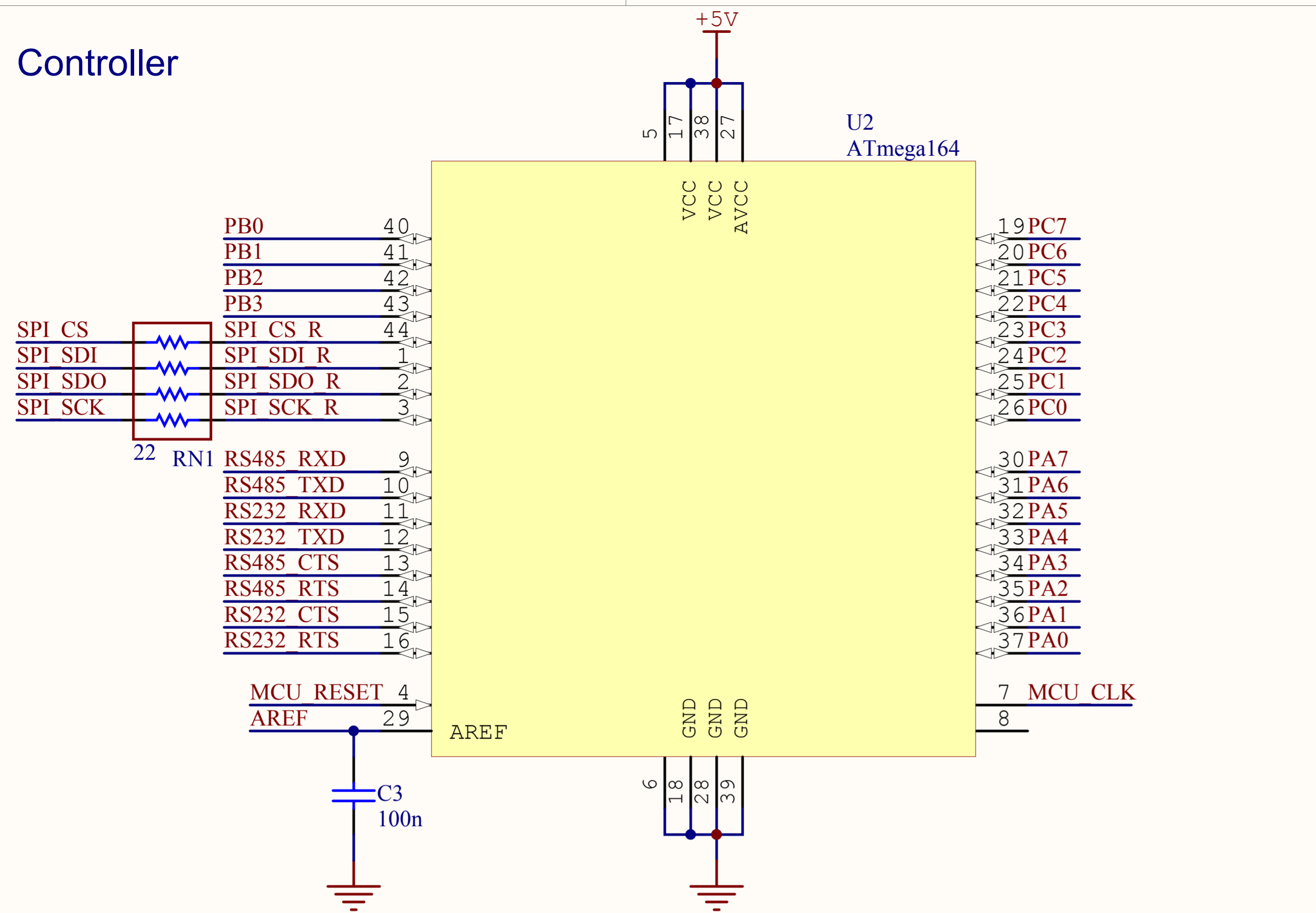
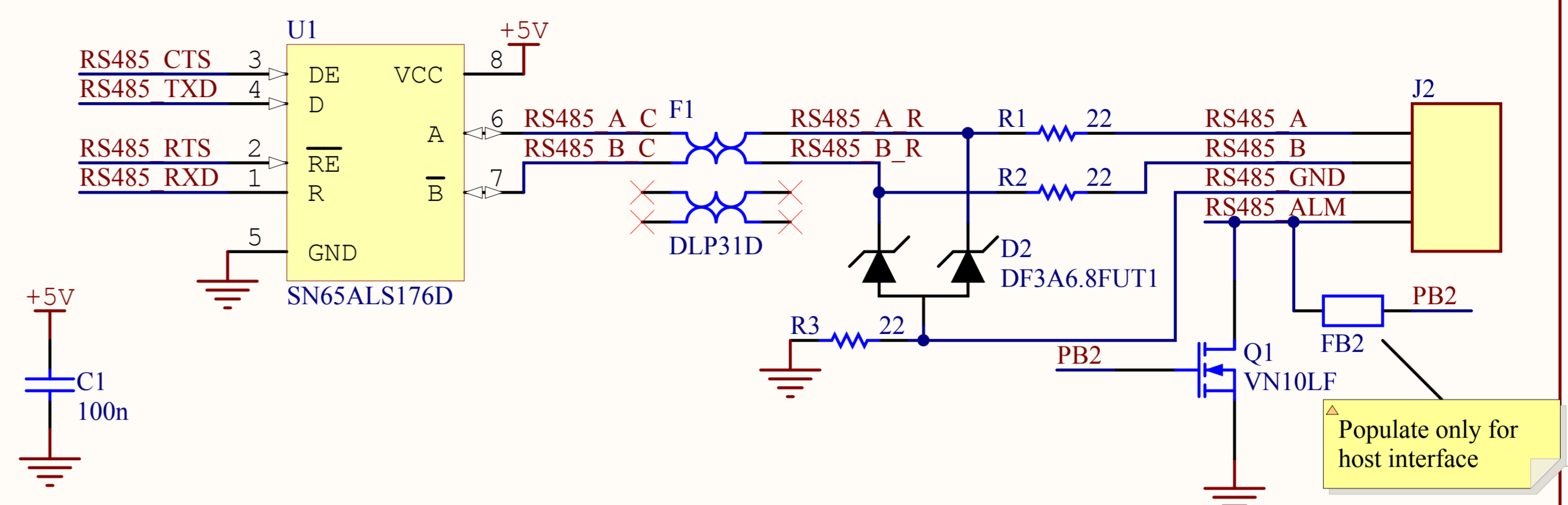


# Controller

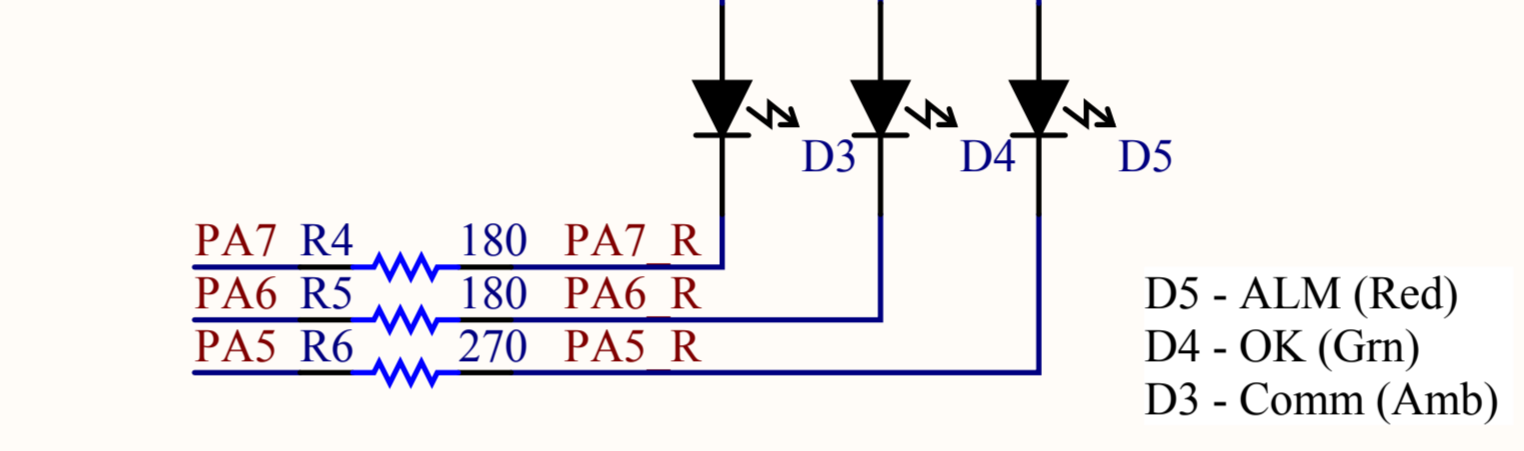


# RS485 transceiver, connector, line conditioner

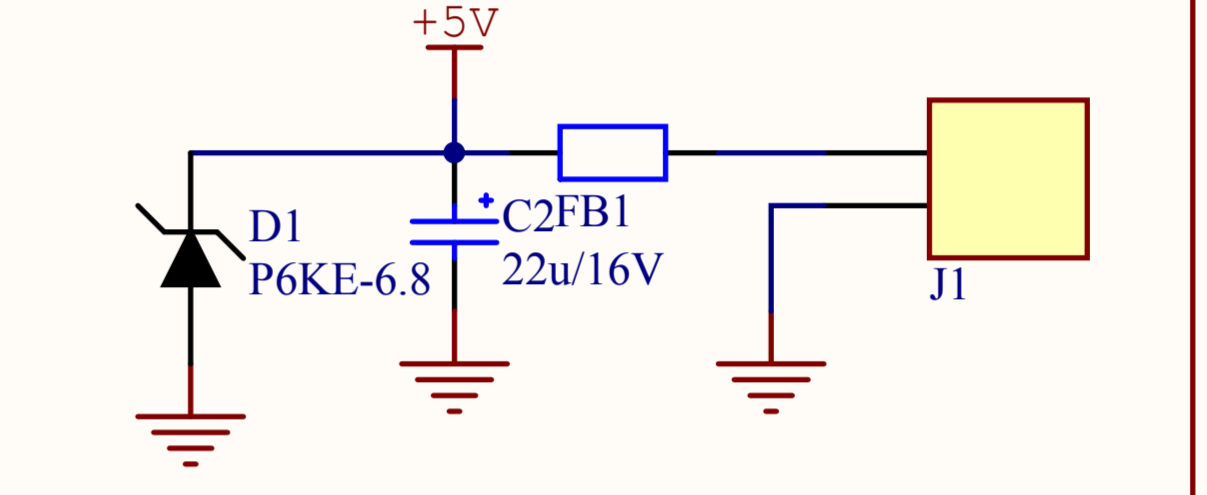
Optional Populate, if RS485 is not needed



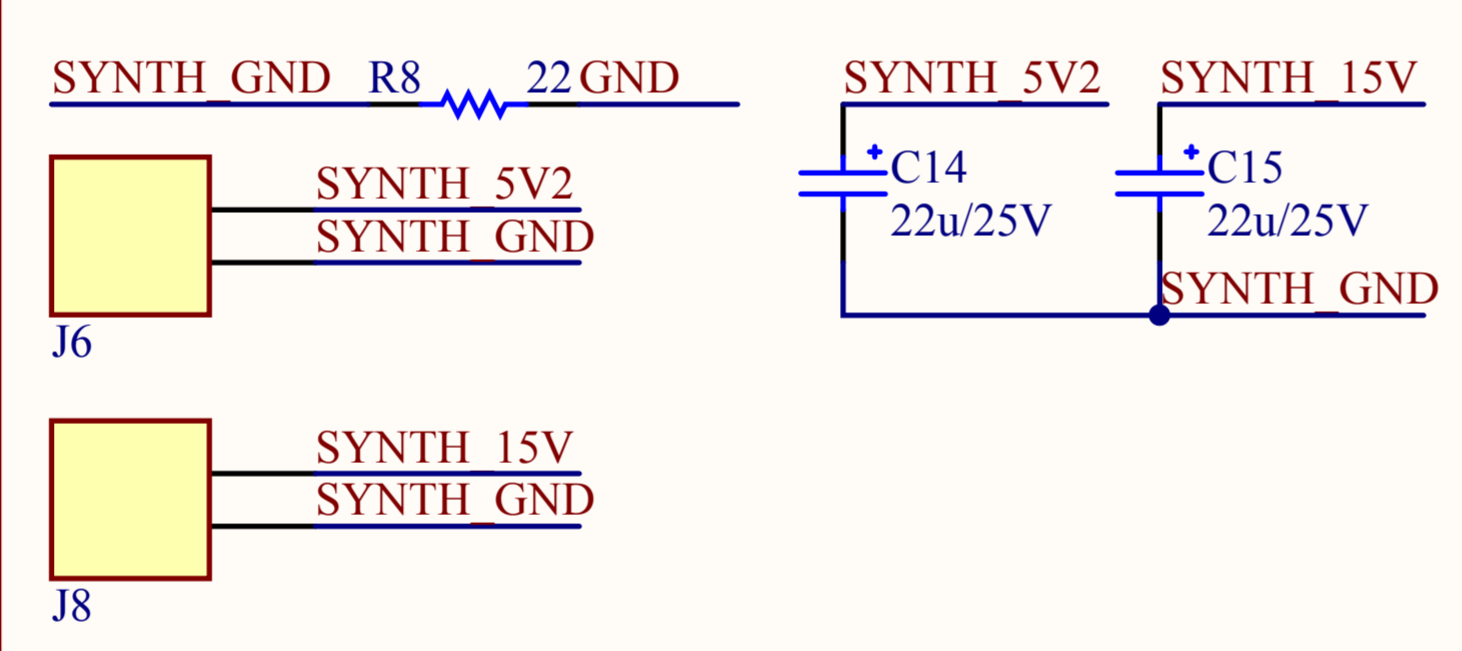
# Indicator LEDs



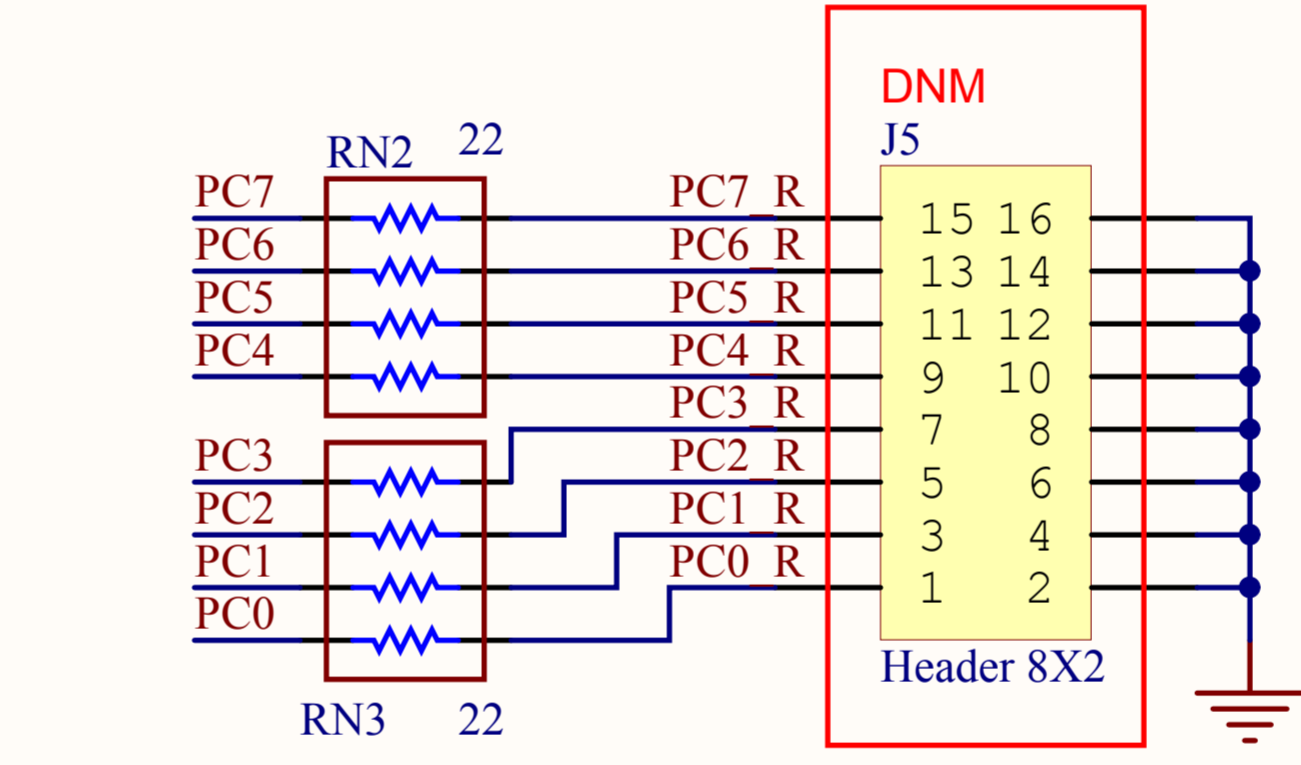
# Power Entry



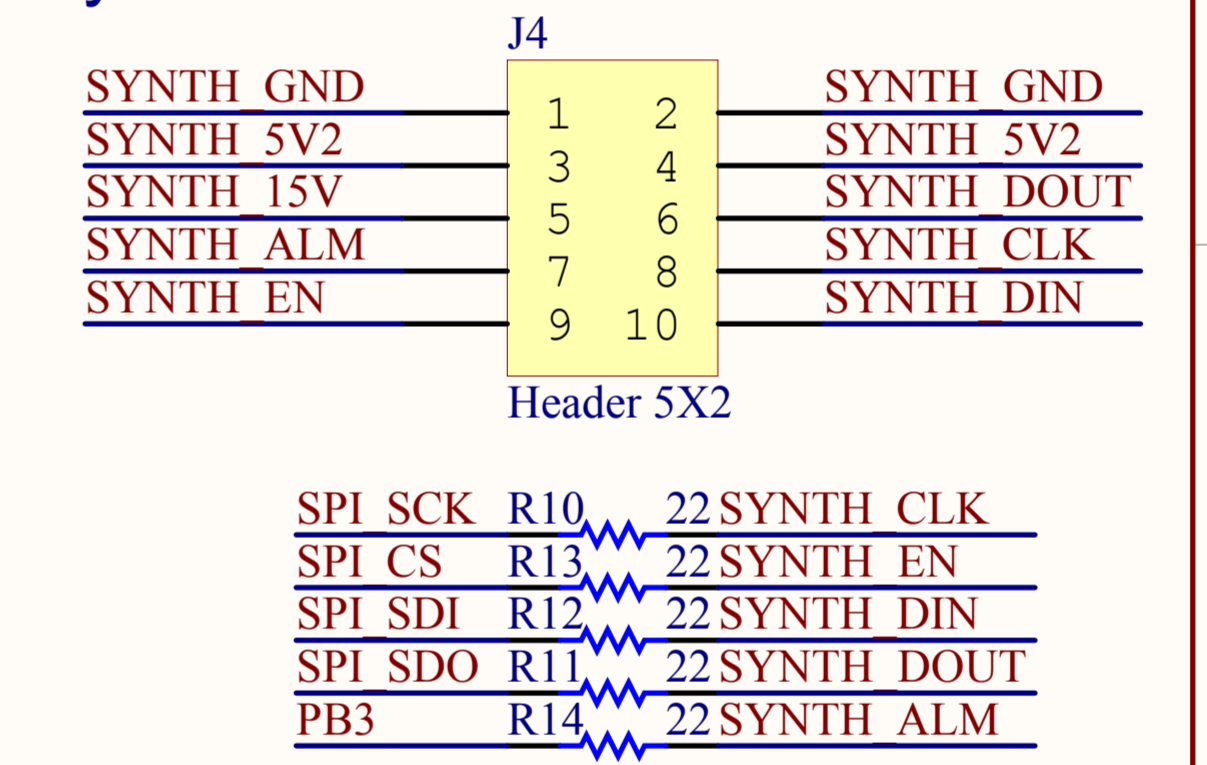
# Synthesizer Power



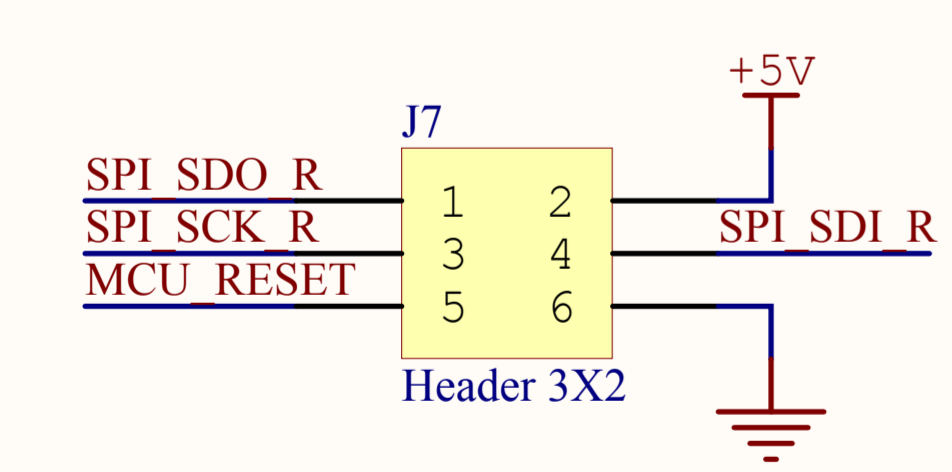
# GPIO



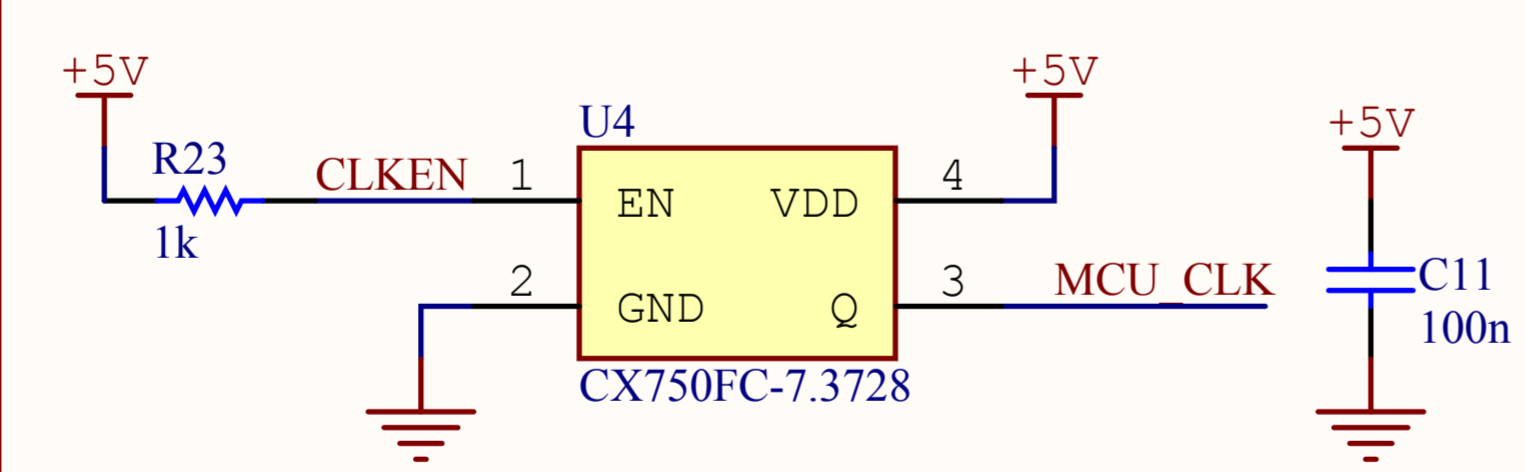
# Synthesizer Interface



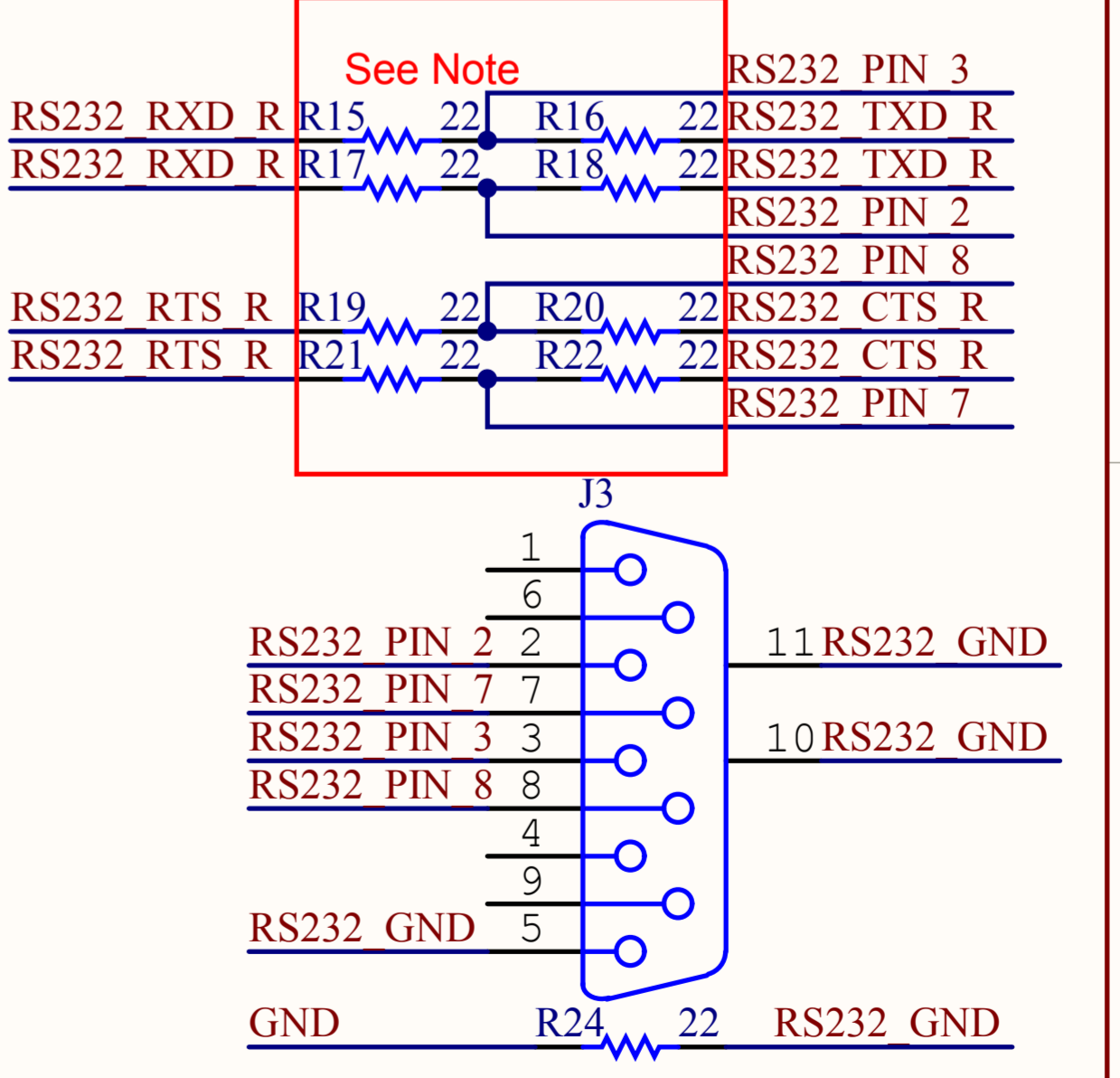
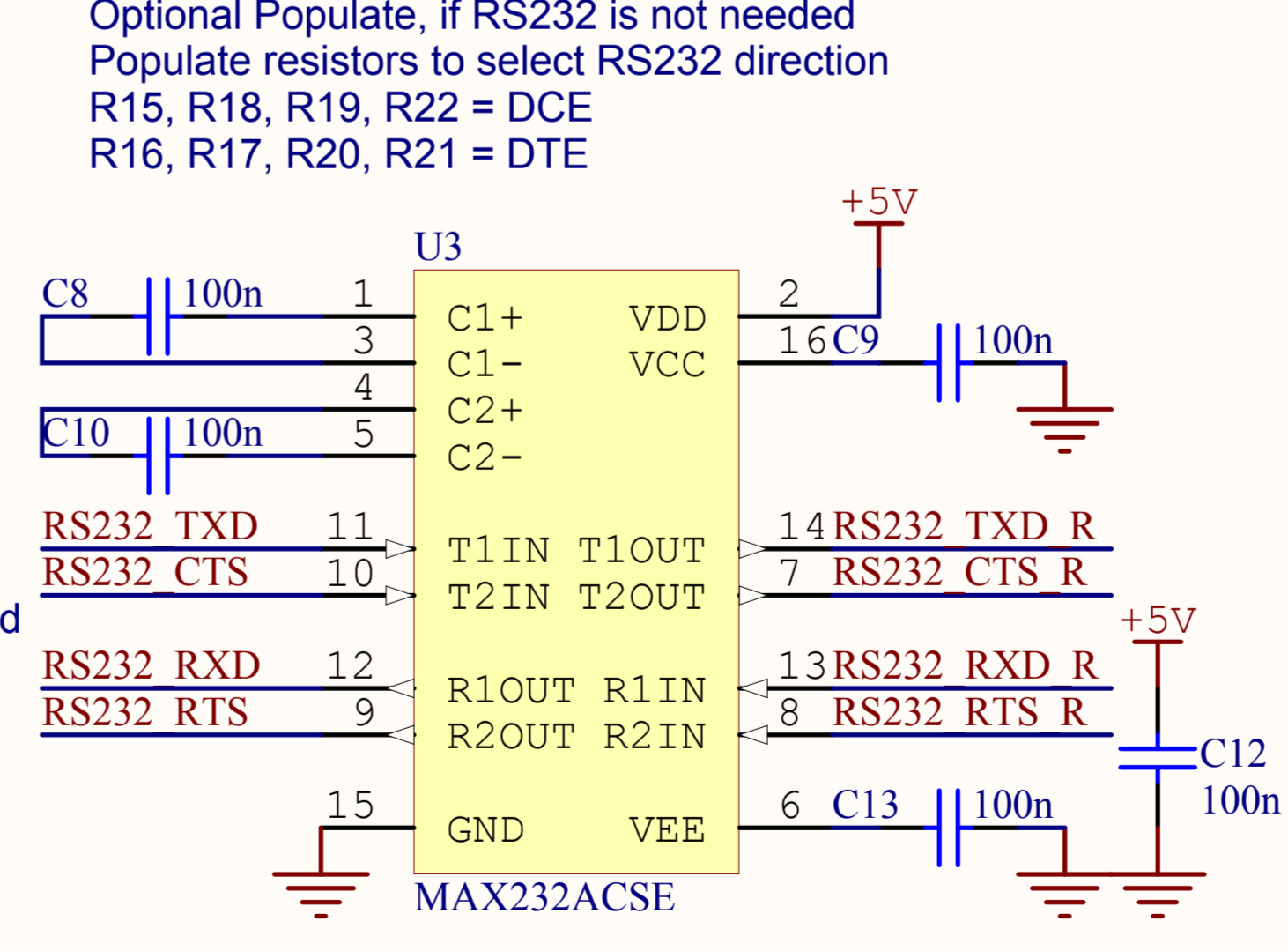
# SPI Programming Port



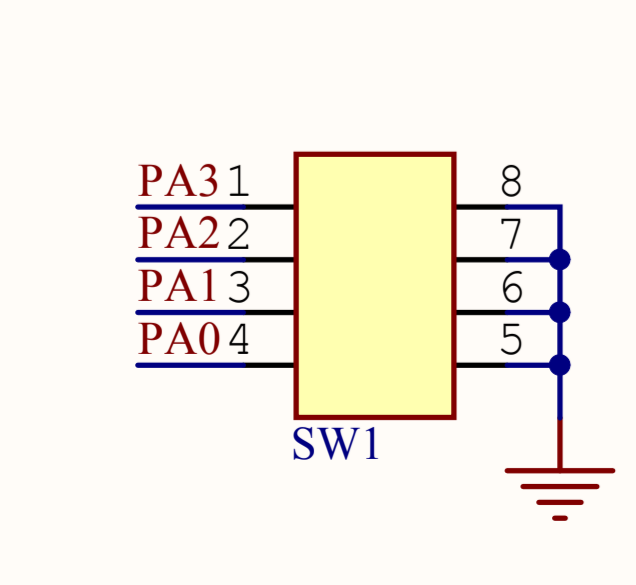
# Oscillator



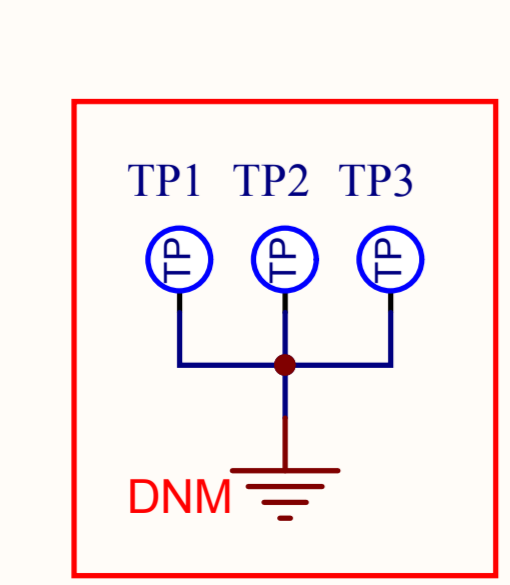
# RS232 driver, receiver, connector



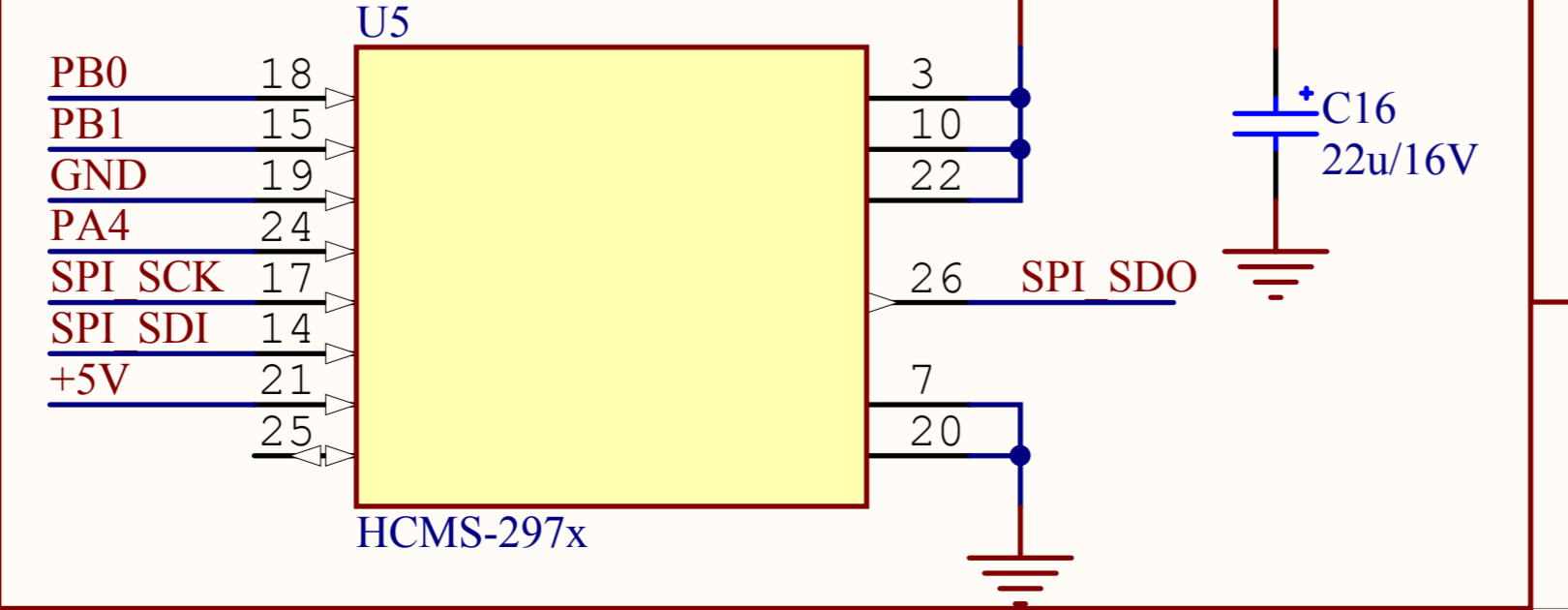
# Config Switch



# Test Points



# Display



Title: <b>Modbus Interface to X-band Synthesizer</b>			CSU-CHILL 30750 Weld County Road 45 Greeley, CO 80631	Engineer: Jim George
Size: Letter	Number: mi_sch	Revision: 1	Cannot open file	
Date: 8/15/2008	Time: 3:33:23 PM	Sheet 1 of 1	Drawn By: Jim George	
File: C:\Documents and Settings\jgeorge\My Documents\pcb\modbus_interface\mi_mcu.SchDoc				